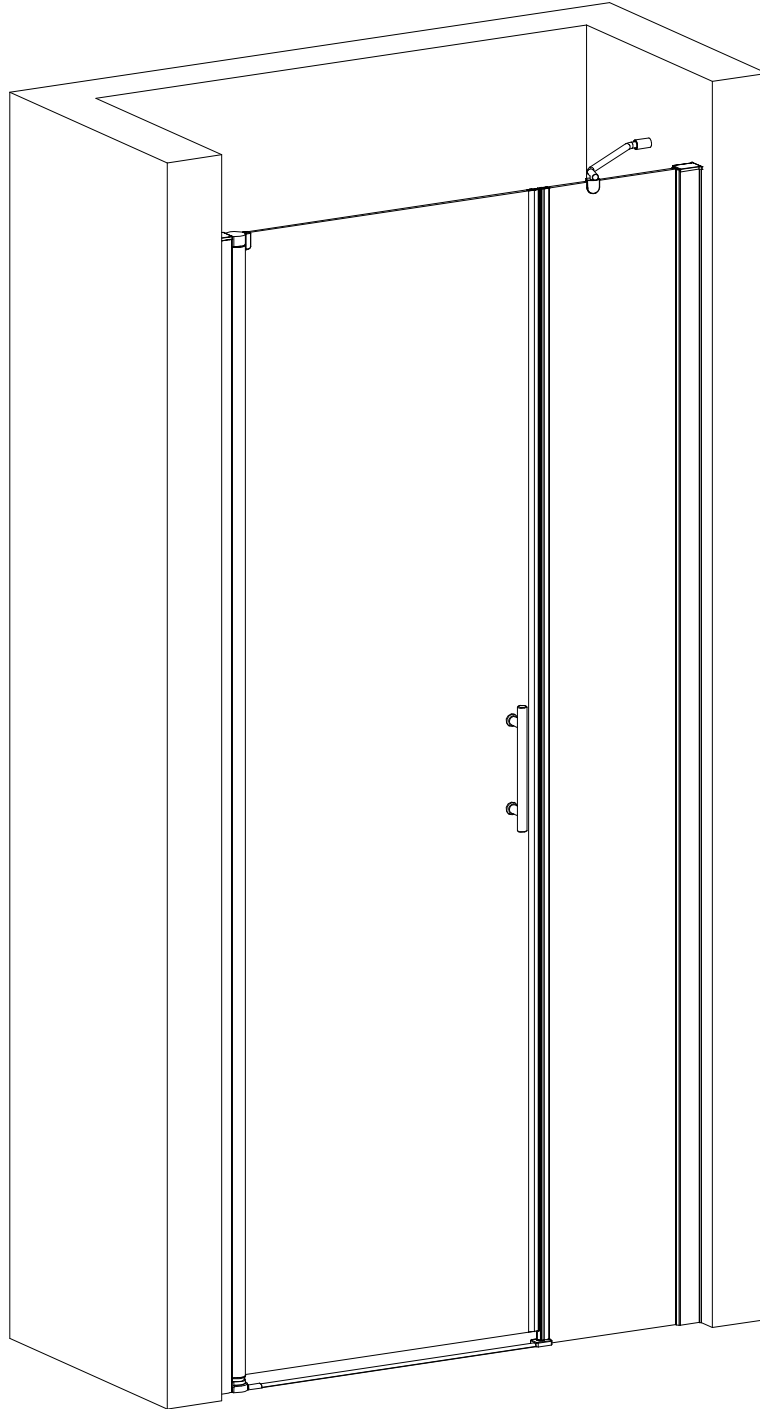
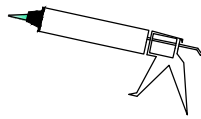
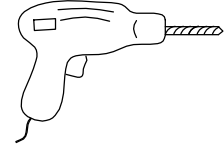
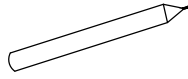
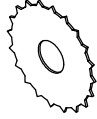
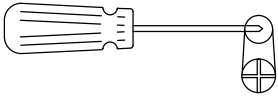
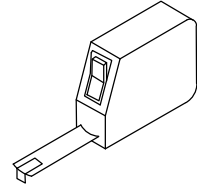
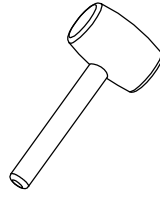
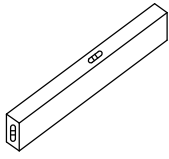
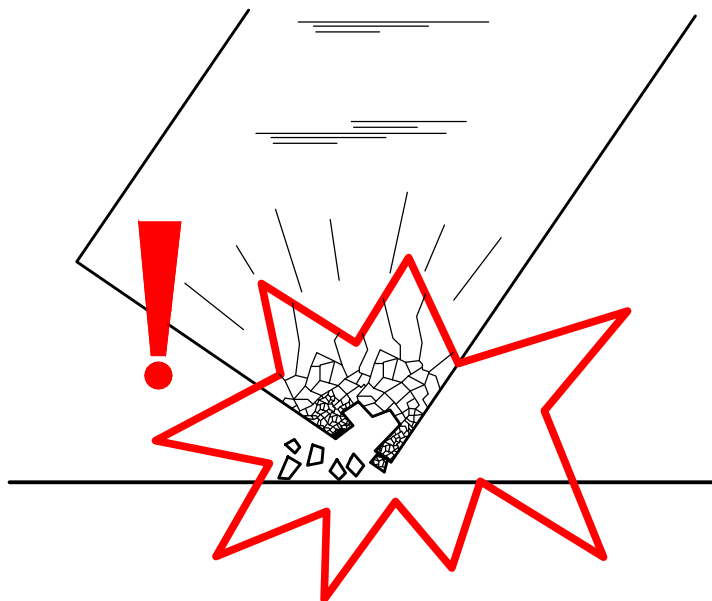
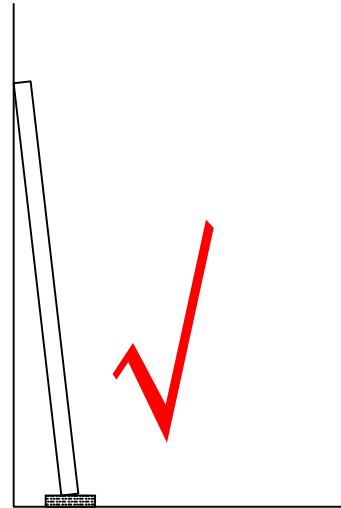
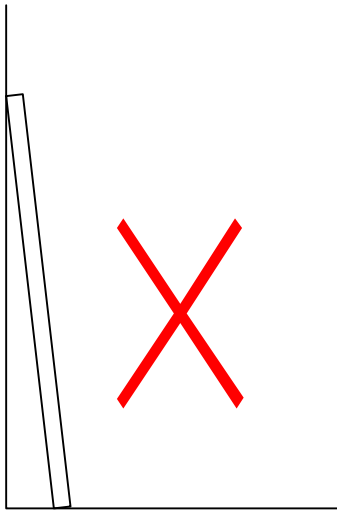


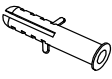
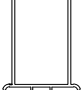
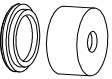


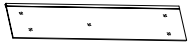
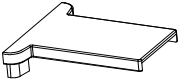

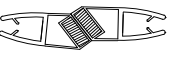


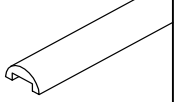
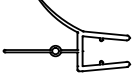

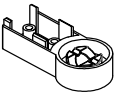
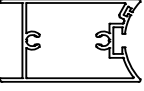
RGW-1306

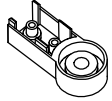
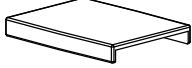

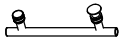
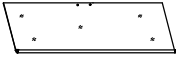









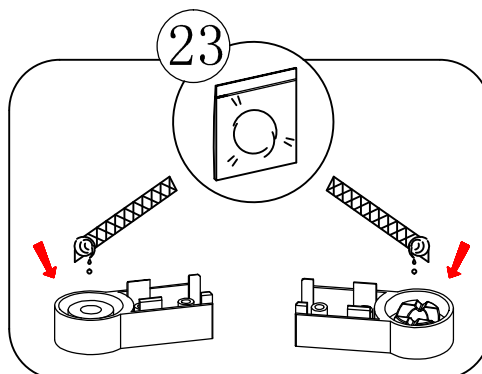
Ø6

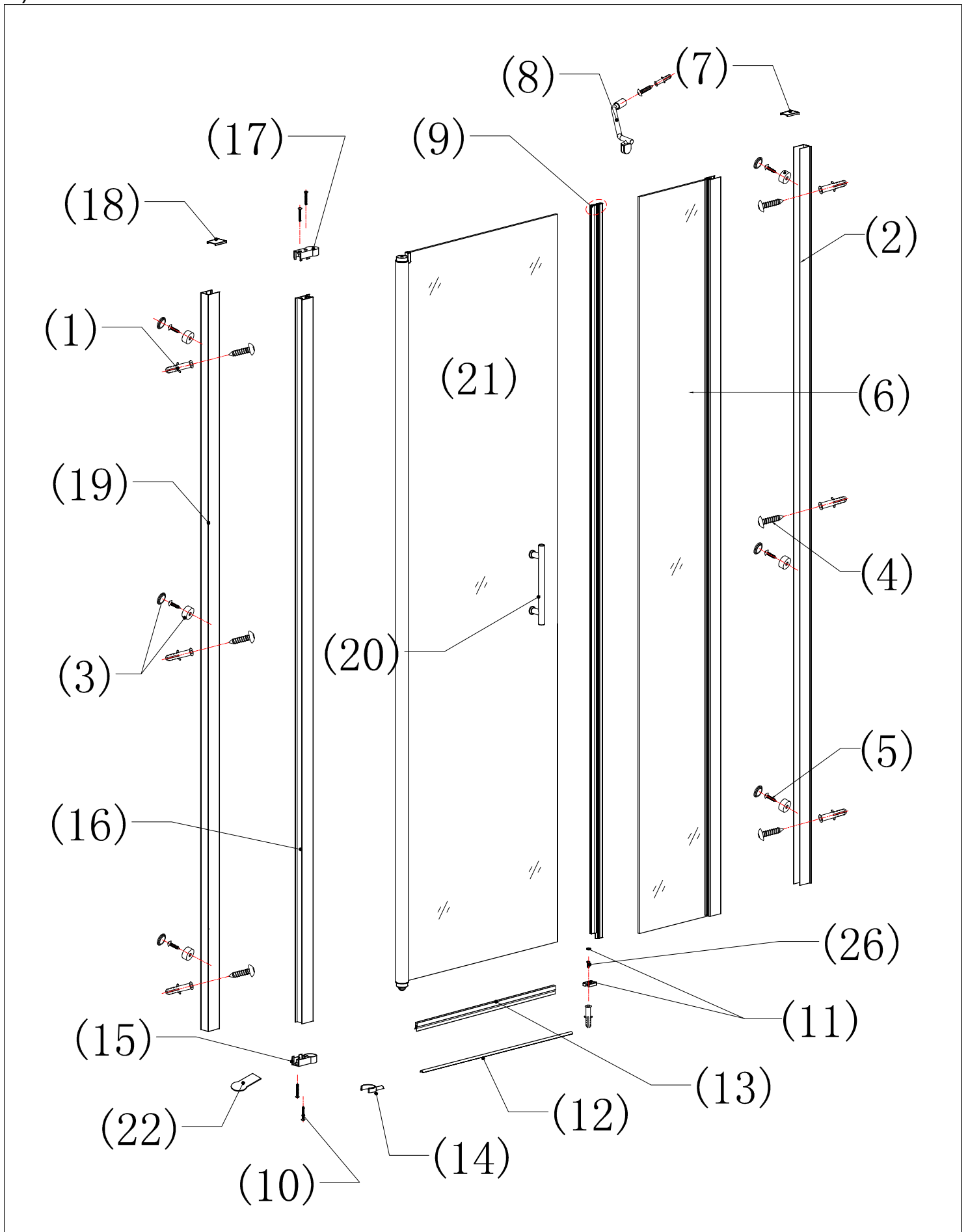


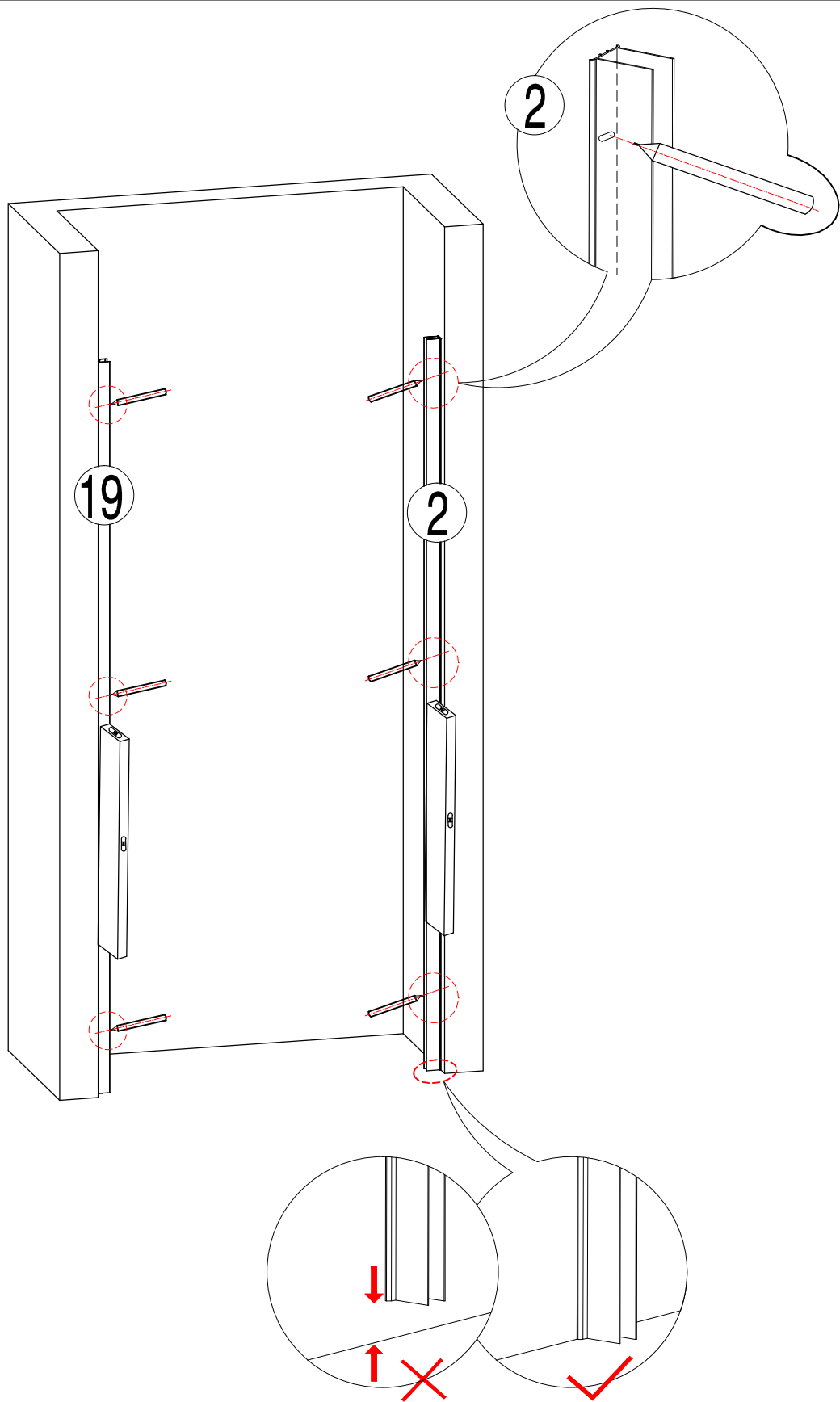
serial number	graphical	Parameter	quantity	remarks
1		∅6	8 PCS	
2			1 PCS	
3			6 PCS	
4		ST3.9X35	7 PCS	
5		ST3.5X9.5	6 PCS	
6			1 PCS	
7			1 PCS	
8			1 PCS	
9			1 PCS	
10		ST3.5X35	4 PCS	
11			1 PCS	
12			1 PCS	
13			1 PCS	
14			1 PCS	
15			1 PCS	
16			1 PCS	

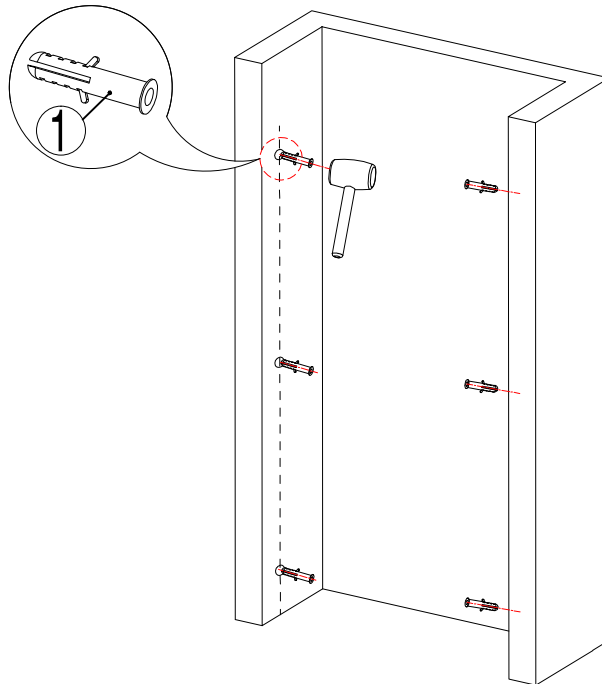
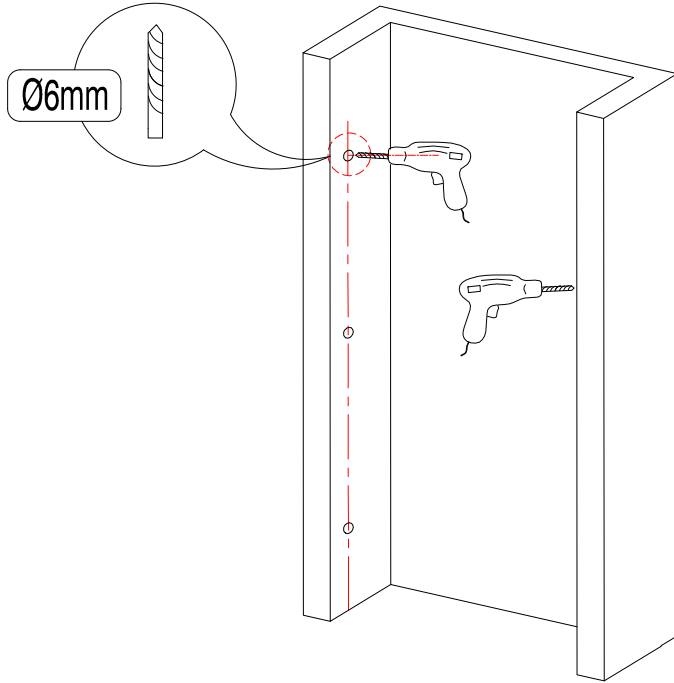
serial number	graphical	Parameter	quantity	remarks
17			1 PCS	
18			1 PCS	
19			1 PCS	
20			1 PCS	
21			1 PCS	
22			1 PCS	
23			1 PCS	
24		Ø2.8	1 PCS	
25		M3	1 PCS	
26		ST3. 5X35	1 PCS	

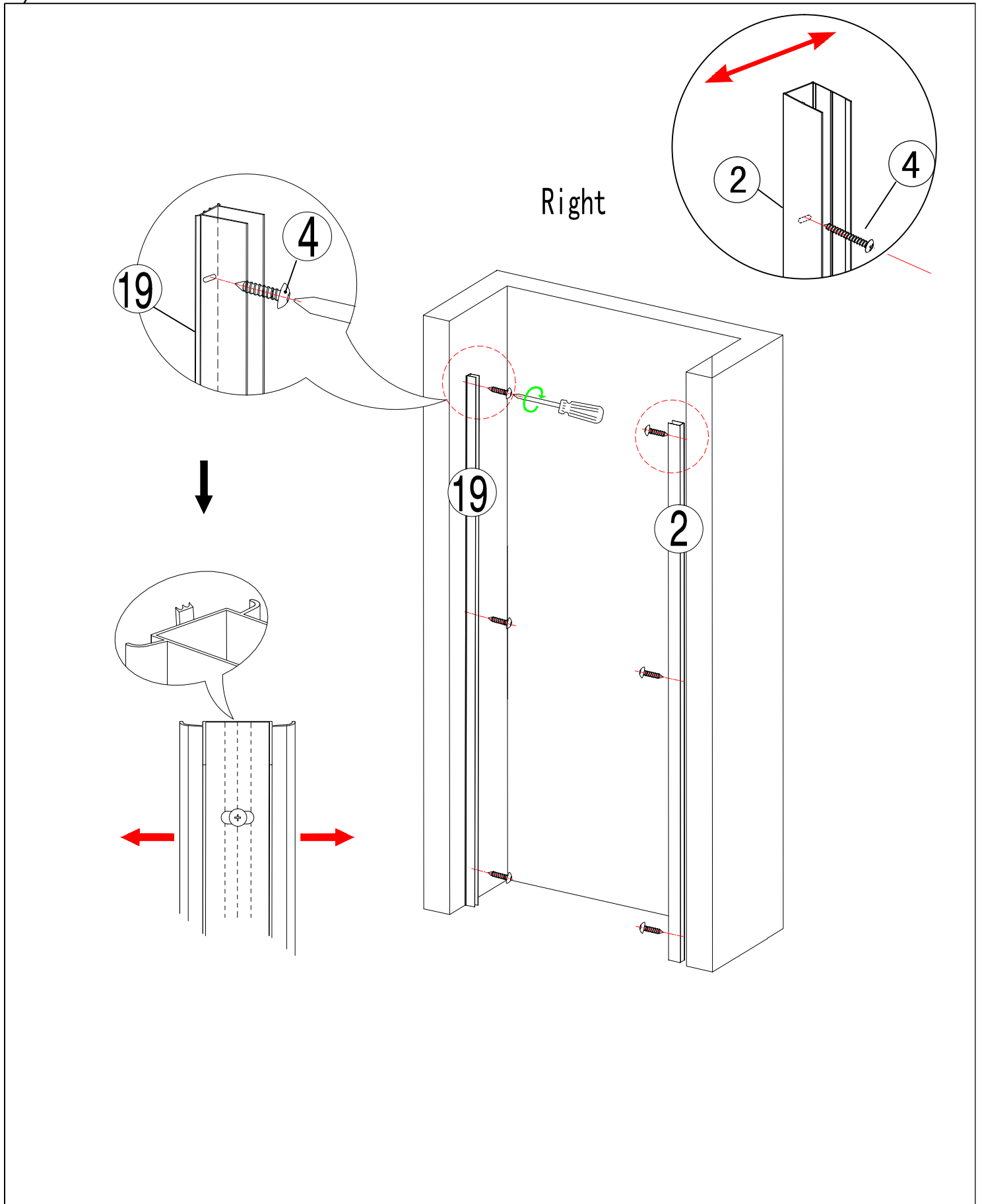
Vaseline for pivot lubrication:

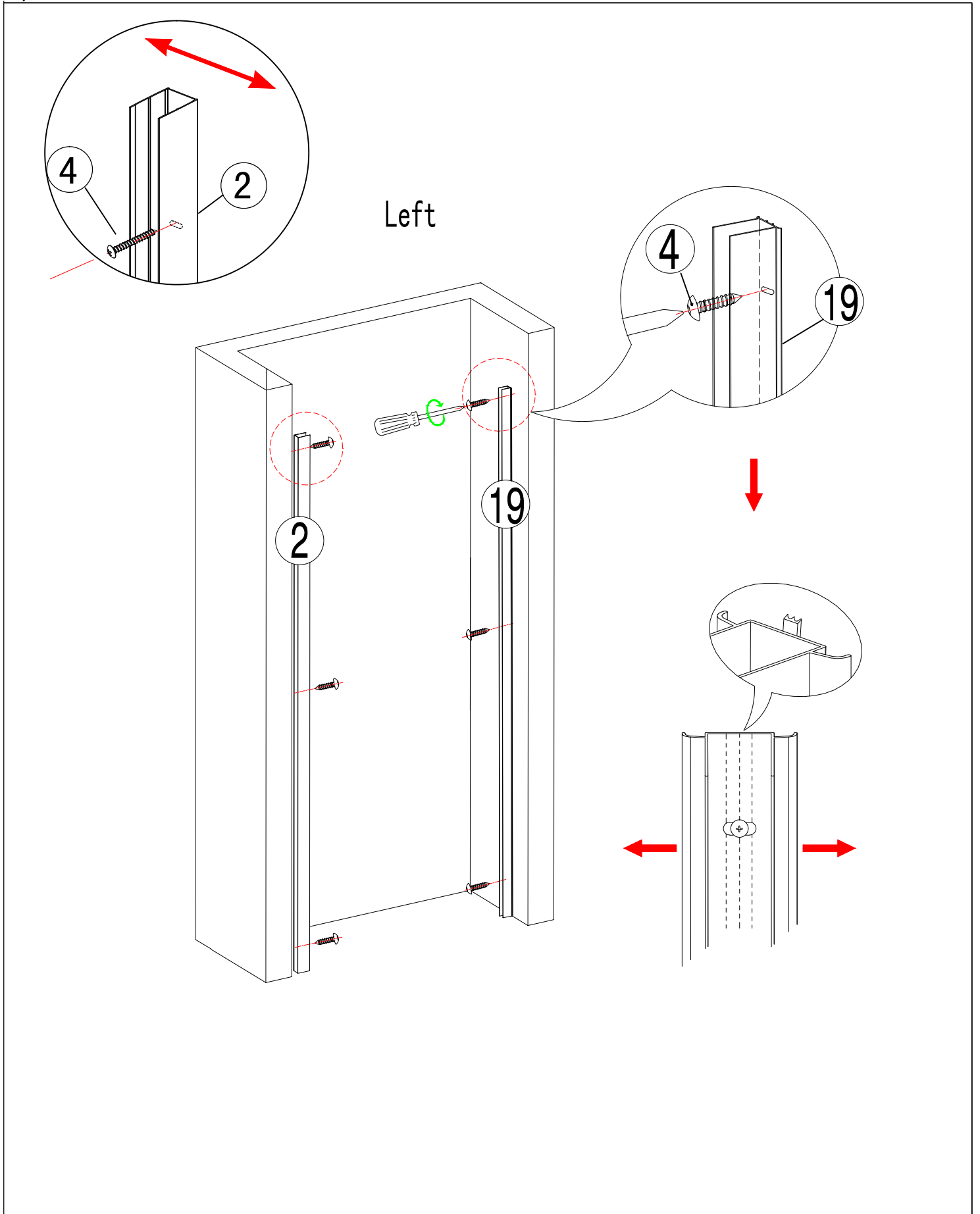








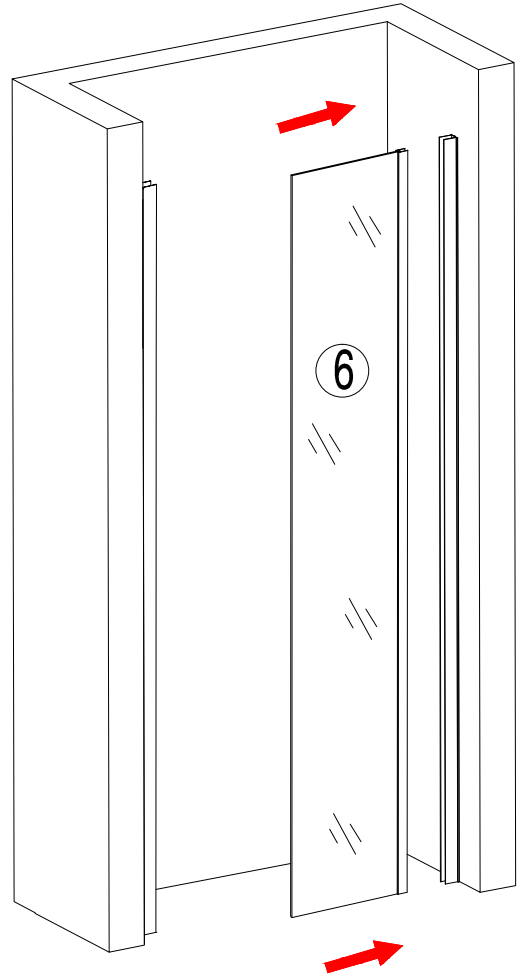




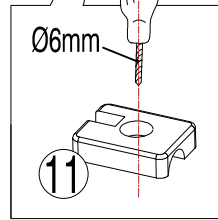
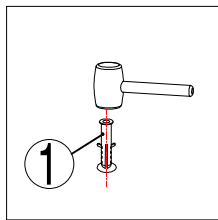
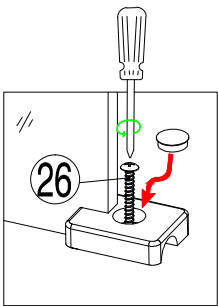
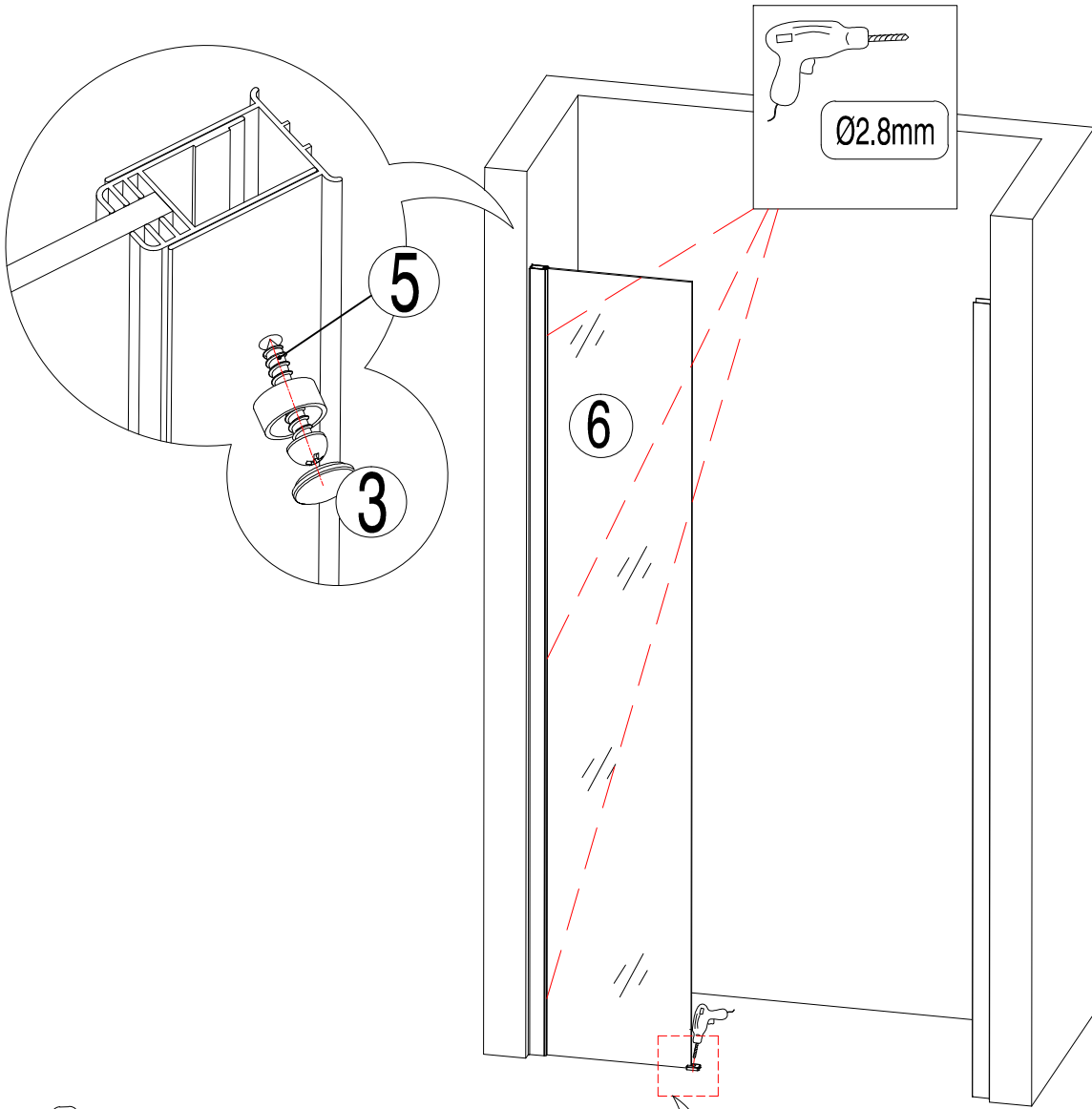
Right



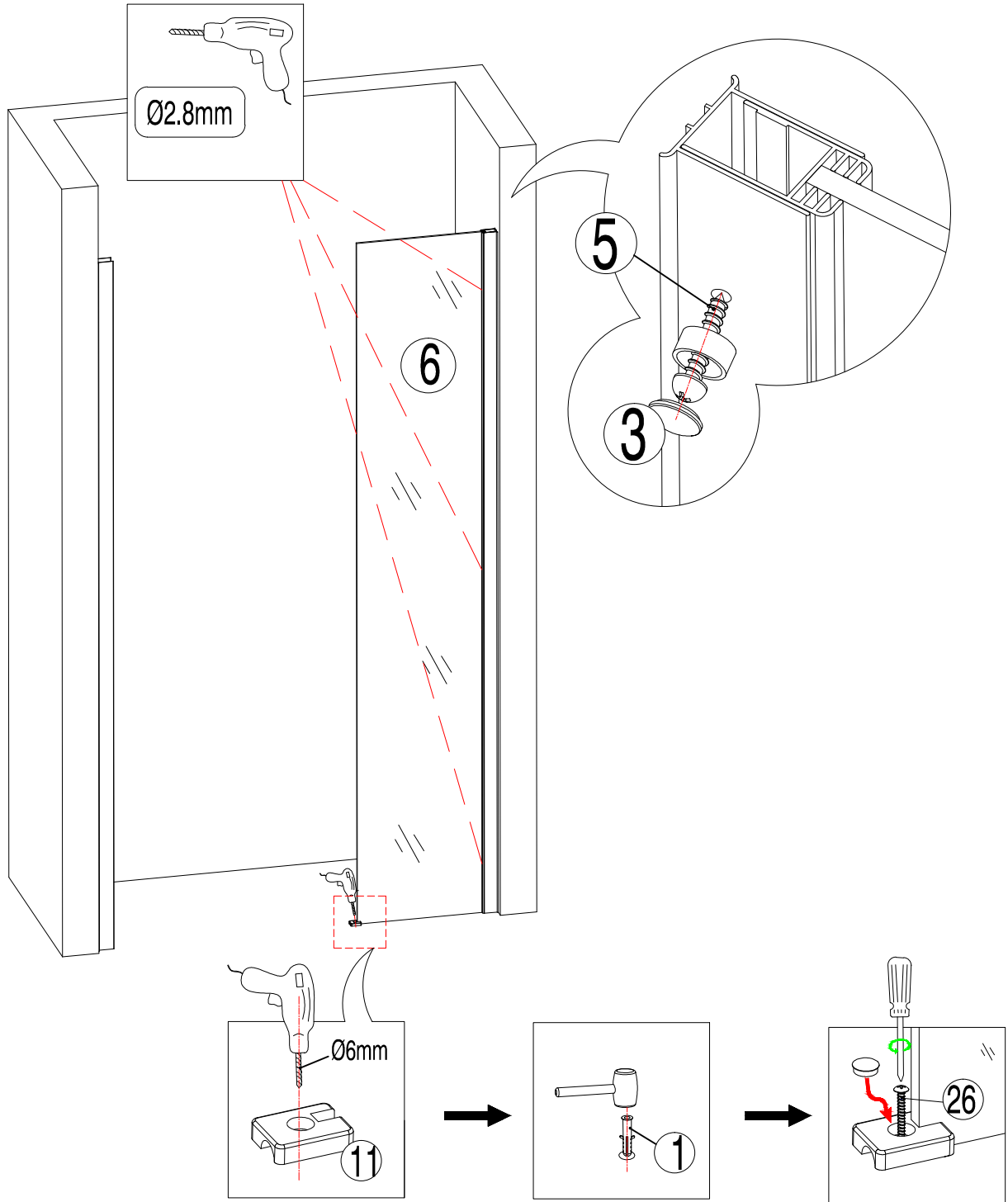
Left

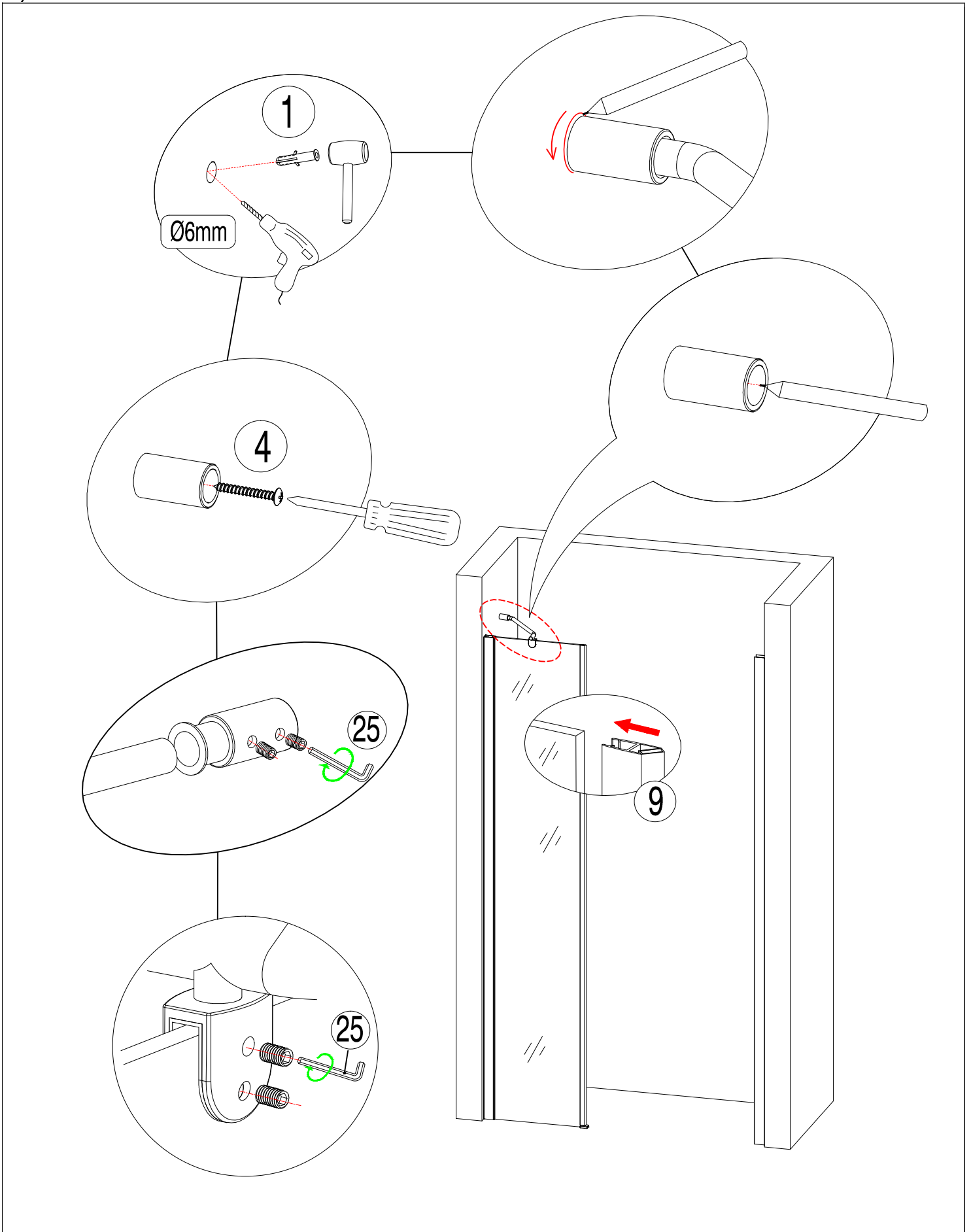


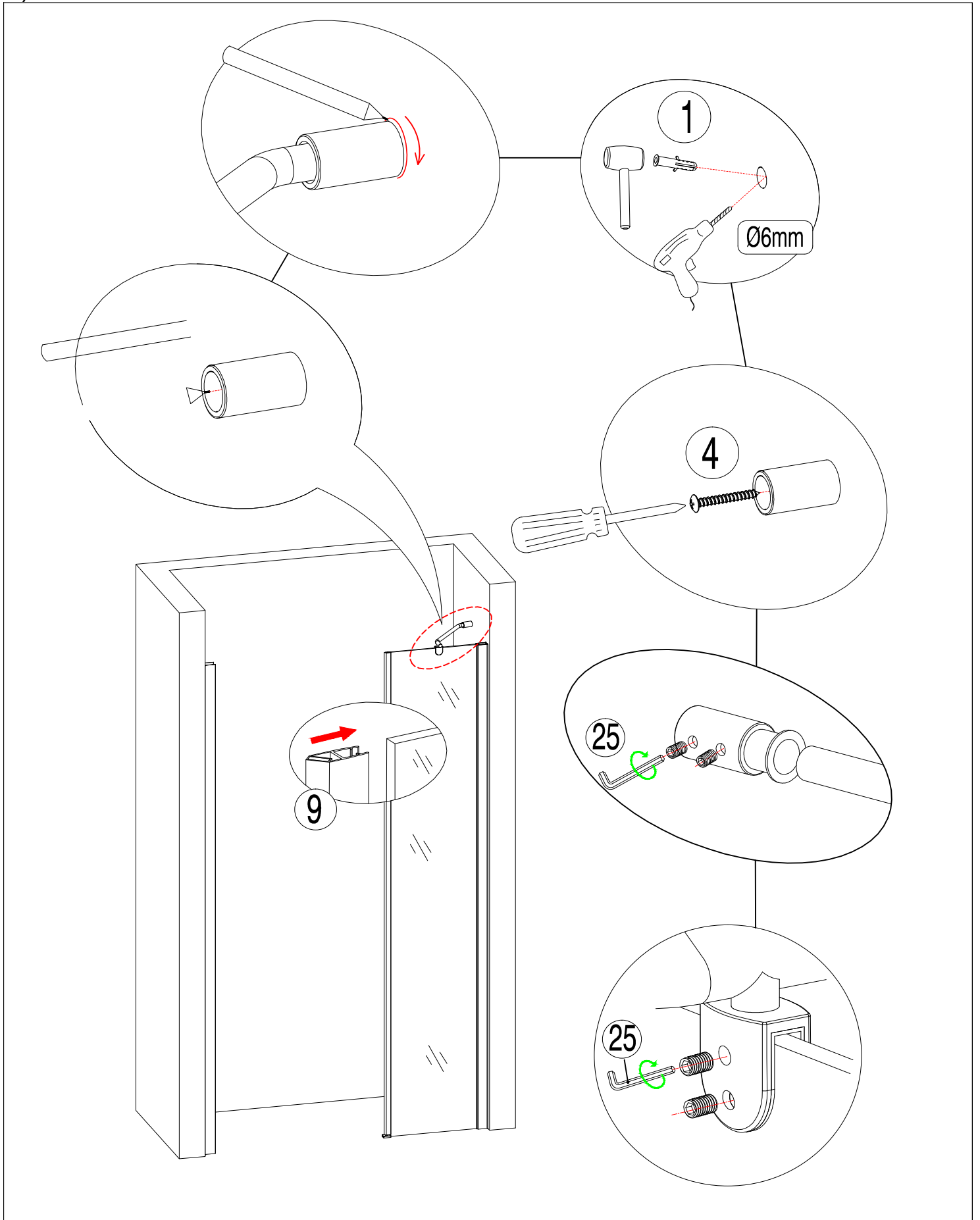
Right



Left

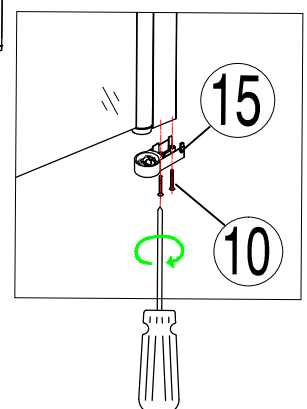
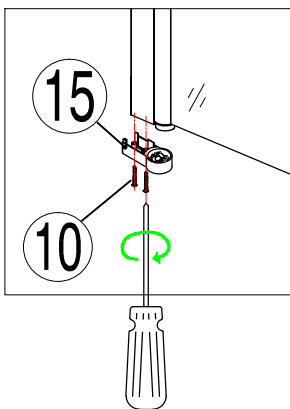
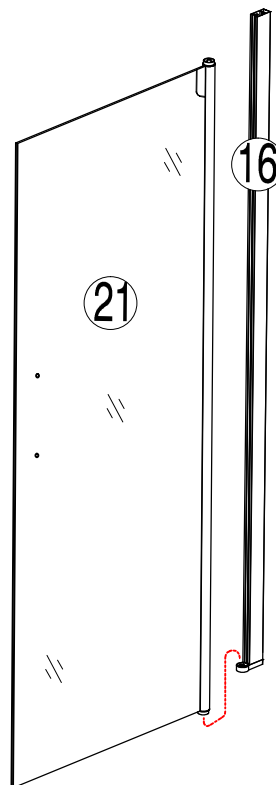
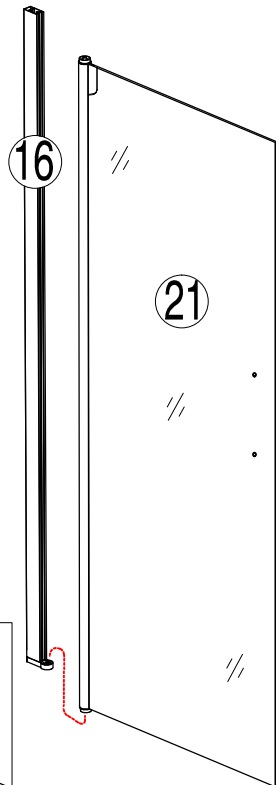
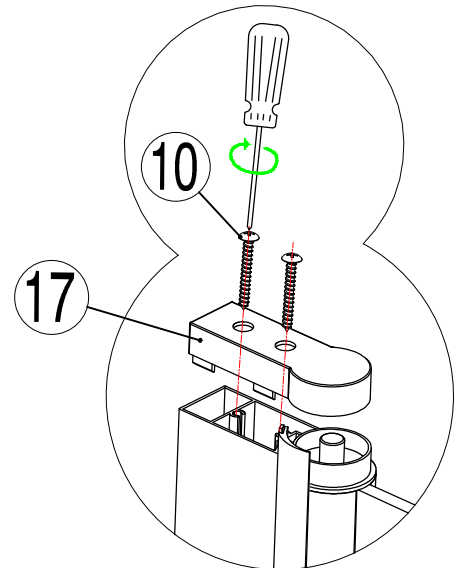
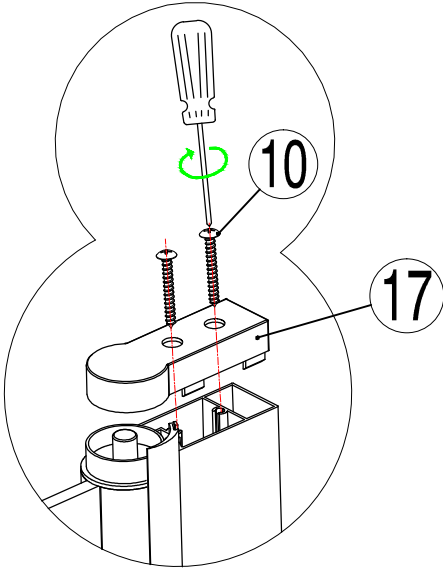






Left

Right



Left

Right

